



VoidOS | SilhouetteOS | LunaOS

Assembly Guide

Step 1

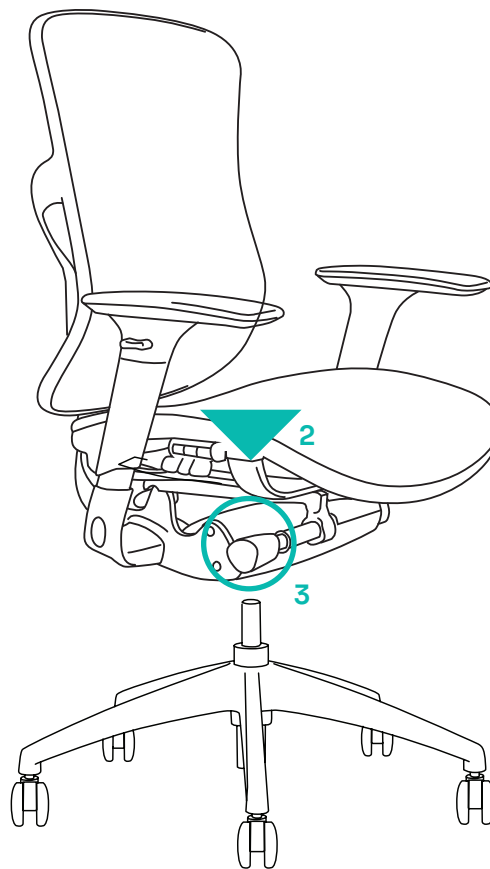
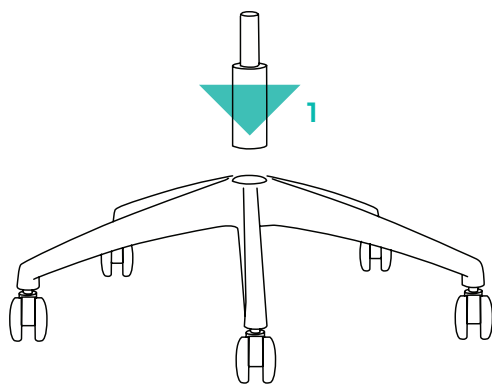
Insert gas lift into centre of base

Step 2

Lower seat onto gas lift

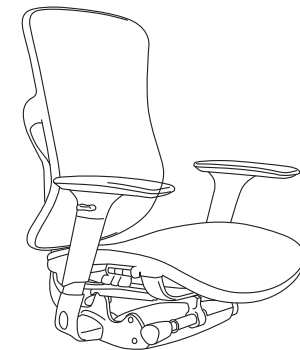
Step 3

Pull out and turn the tension control to increase backrest tilt resistance



What's in the box?

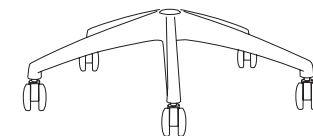
Seat, Backrest & 4D arms



Gas Stem



5-Star Base & Castors



service@hoodseating.com
0333 123 2000

Hood Seating, The Smart Centre
Zone 3, 10th Ave, Deeside Ind. Park, CH5 2UA



Cleaning &
Maintenance
Advice